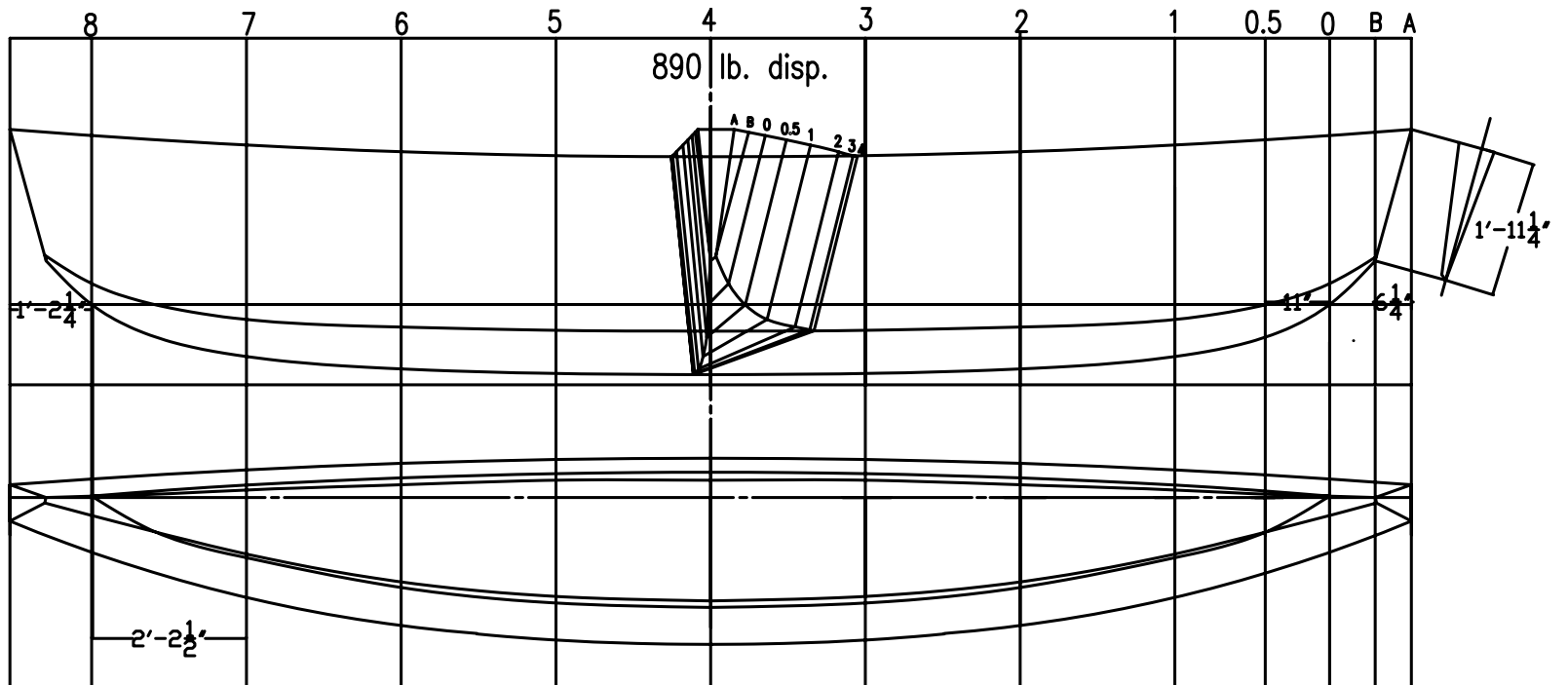


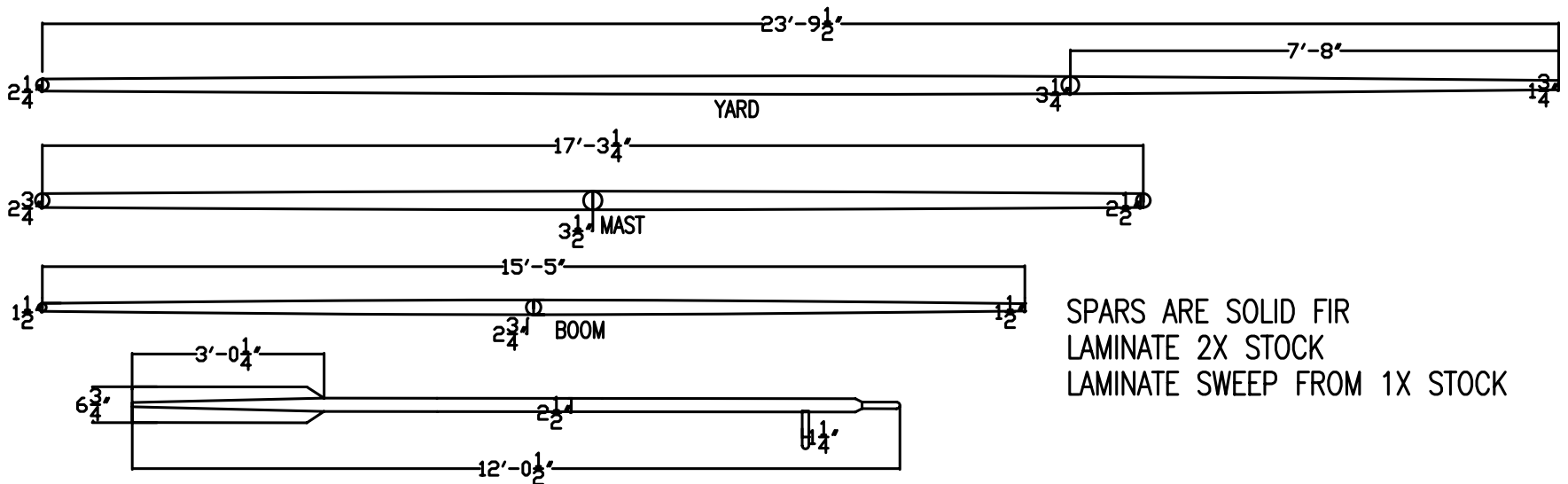
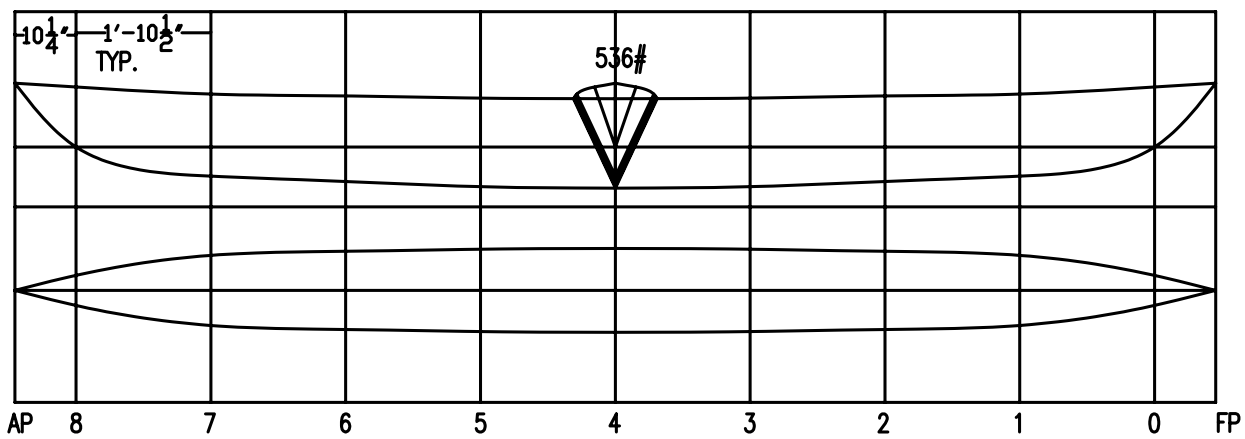
| MAIN HULL TABLE OF OFFSETS - INCHES | | | | | | | | | | |
|-------------------------------------|-----------|-------|-------|-------|-------|-------|-------|-------|-------|-------|
| STATIONS | | A | B | 0 | .5 | 1 | 2 | 3 | 4 | |
| HEIGHTS ABOVE BASE | SHEER | 43.75 | 43.27 | 42.69 | 41.96 | 41.06 | 39.91 | 39.25 | 39.12 | |
| | CHINE | 21.97 | 21.97 | 17.34 | 13.69 | 11.19 | 9.90 | 9.42 | 9.24 | |
| | KEEL | 21.25 | 21.25 | 13.75 | 8.15 | 4.84 | 2.71 | 1.94 | 1.75 | |
| BREADTHS FROM CENTER LINE | WIND SIDE | SHEER | 4.04 | 6.51 | 9.38 | 12.96 | 17.11 | 21.93 | 24.41 | 25.14 |
| | LIFE SIDE | SHEER | 0.92 | 0.92 | 3.07 | 5.93 | 6.97 | 14.45 | 16.98 | 17.70 |
| | KEEL | 0 | 0 | 0.43 | 0.67 | 1.30 | 2.09 | 2.73 | 2.97 | |

PORT MADISON PROA
for Duckworks/Small Craft Advisor
Doug Taylor, December 31, 2005

LINES - SPARS



| "AMA" HULL TABLE OF OFFSETS - INCHES | | | | | | | |
|--------------------------------------|-------|-------|-------|-------|-------|-------|-------|
| STATIONS | | FP/AP | 0 | 1 | 2 | 3 | 4 |
| HEIGHTS ABOVE BASE | SHEER | 20.65 | 20.04 | 18.86 | 18.52 | 14.79 | 14.93 |
| | KEEL | - | 10.00 | 5.15 | 4.27 | 3.37 | 3.11 |
| HALF BREADTHS FROM C.L. | SHEER | 0 | 2.50 | 5.85 | 6.52 | 6.88 | 6.99 |



SPARS ARE SOLID FIR
LAMINATE 2X STOCK
LAMINATE SWEEP FROM 1X STOCK

